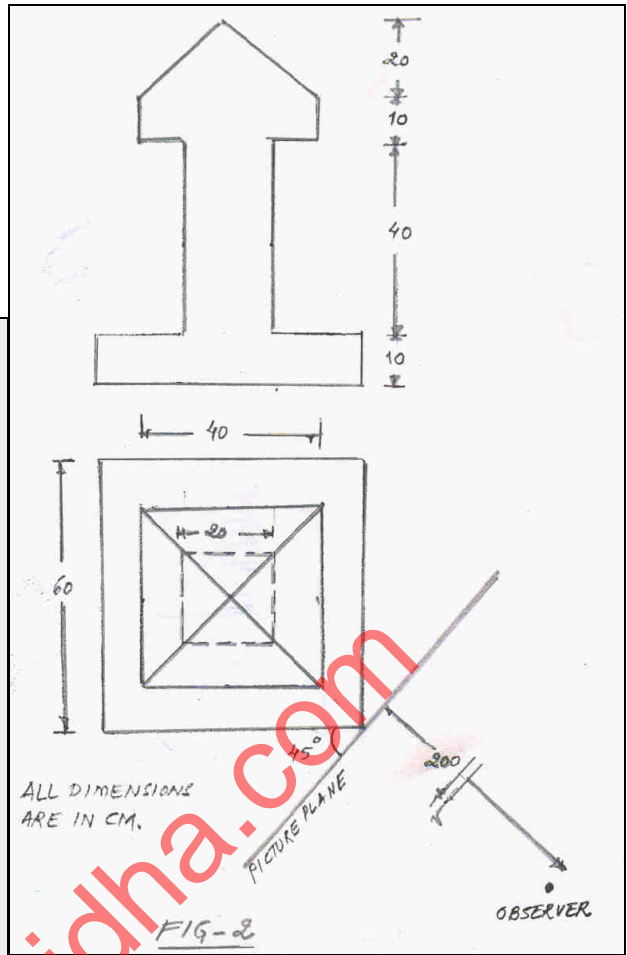
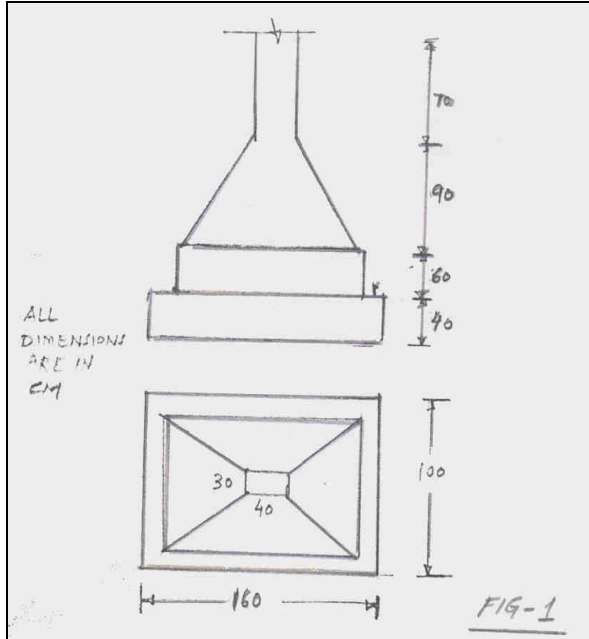


GUJARAT TECHNOLOGICAL UNIVERSITY**B.E. Sem-III(Civil)Examination December 2009****Subject code: 130603****Subject Name: Building and Town Planning****Date: 21 / 12 /2009****Time: 11.00 am – 2.00 pm****Instructions:****Total Marks: 70**

1. Attempt all questions.
2. Assume necessary data and dimensions needed
3. Figures to the right indicate full marks.
4. Draw Drawing part in Drawing sheet and attempt theory part in the Answer sheet

- Q.1** Plan a residential building (and Draw only plan) in a plot of 220 Sq.m. provide units like(i) drawing hall(ii)kitchen & dinning(iii) Pooja room(iv) Master Bed Room(v) Bed room(vi) Store (vii)Toilet .Also plan Stair case to go on first floor , provide only stair cabin on the first floor .Building should be on the ground floor only . Consider FSI 65 % . **14**
- Q.2**
- (a) Enlist different principles of planning a residential building and Explain orientation and privacy in detail **07**
- (b) Discuss Origin and Growth of Town **07**
- OR**
- (b) Explain different Civic Surveys **07**
- Q.3**
- (a) Explain Principles of Town planning **05**
- (b) What is a Master Plan of a Town ? Why it is required to be prepared ? What is included in that ? **05**
- (c) Explain Importance of Zoning **04**
- OR**
- Q.3** (a) Explain Slum Clearance & its methods **05**
- (b) Describe in brief town planning in Ancient India **05**
- (c) Explain different types of Road network in a Town **04**
- Q.4**
- (a) Draw perspective view for the given **fig no. 1** **08**
- (b) Explain what precautions you will take at the time of planning the Building to make it earthquake resistant ? **06**
- OR**
- Q.4** (a) Draw perspective view for the given **fig. no. 2** **08**
- (b) What do you mean by Bye laws ? Who frame it ? Give the Minimum Size of the Drawing room and Kitchen **03**
- (c) Discuss the needs of a Hospital Building as per planning point of the view . Suggest approximate Sizes of the Various units **03**
- Q.5**
- Draw one suitable Section (draw only section) of the residential building you have drawn in the **Q.1** **14**
- OR**
- Q.5** Plan a School building (Draw only plan) with the following details (i) Principles office (ii) Clerks Office room (iii)Reception (iv) 8 Classes for 60 Students each (v) 3 Science laboratories (vi) 1 Library (vii) 1 staff Room (viii) Water Room (ix) Toilet . Draw plan of the Building . Take three laboratories and the Library on the First Floor . All other Units on the Ground Floor . Take Size of the room as per normal Requirement of Educational Building **14**



downloaded from
 StudentSuvidha.com